



SOFTWARE CONTROL SERVICES (PTY) LTD

475 King's Highway, Lynnwood  
P.O.Box 36675, Menlo Park  
Pretoria, South Africa  
0102

(t) +27 12 348 7301  
(f) +27 12 348 1129  
(e) [techsupport@softconserv.com](mailto:techsupport@softconserv.com)  
[www.softconserv.com](http://www.softconserv.com)

# Capture Bins setup Guide

Version 1.0

Prepared by: Michael Davis- Hannibal

Softcon Software Control Services (Pty) Ltd.

7 March 2017



## Revision History

Name	Date	Reason For Changes	Version
MDH	6-Jul-10	Initial document	0.1
MDH	7-Jul-10	Added new Images with example wiring	1.0

## Contents

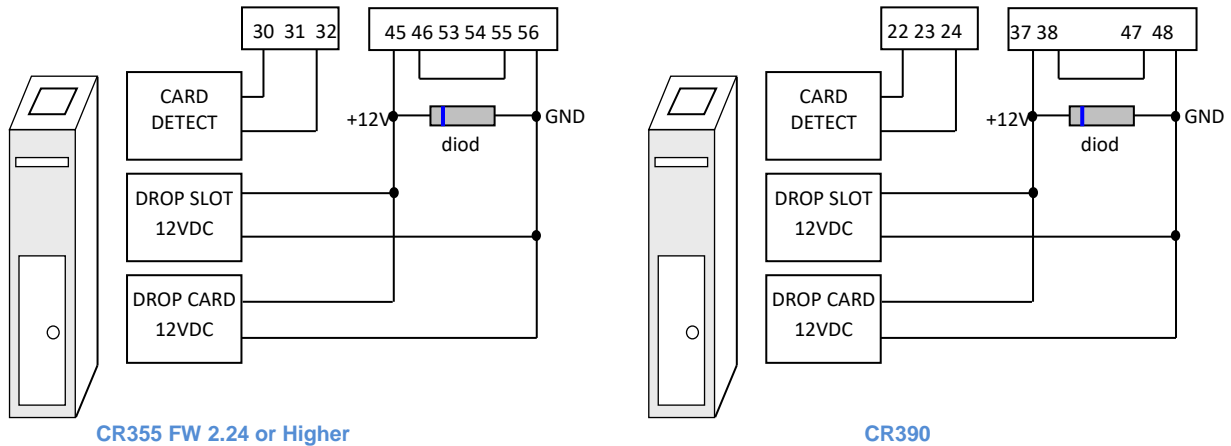
CR390 and CR355 version 2.24 or higher .....	2
CR355 version 2.23 or Lower.....	5
CR351/2/4 all versions. ....	8

### CR390 and CR355 version 2.24 or higher

1. Using the handheld (HH) programmer set the capture output to inverted by inserting a 1 for the relevant reader. Eg, 10 is reader 1, 01 is reader 2, and 11 is both readers.

00 CaptOut NC/NO

2. Ensure that all the correct wiring is complete. See the diagram for the correct wiring.



3. Click setup, setup editor CR351/5 setup

- a. For the relevant controller, under R1 capture or R2 capture select the type of capture necessary
  - i. Capture: will capture the card and allow the card holder to pass
  - ii. Capture Disabled: Will, once the card has been captured, disable the card and allow the card holder to pass
  - iii. Capture pulse: is used when the capture device only requires a pulse from the controller in order to capture the card.
  - iv. Motor capture: is used when the capture device is motorised. Typically the readers are built into the capture devices.

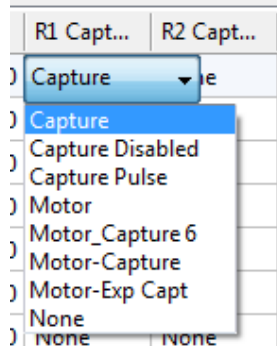


Figure 1: Capture Options

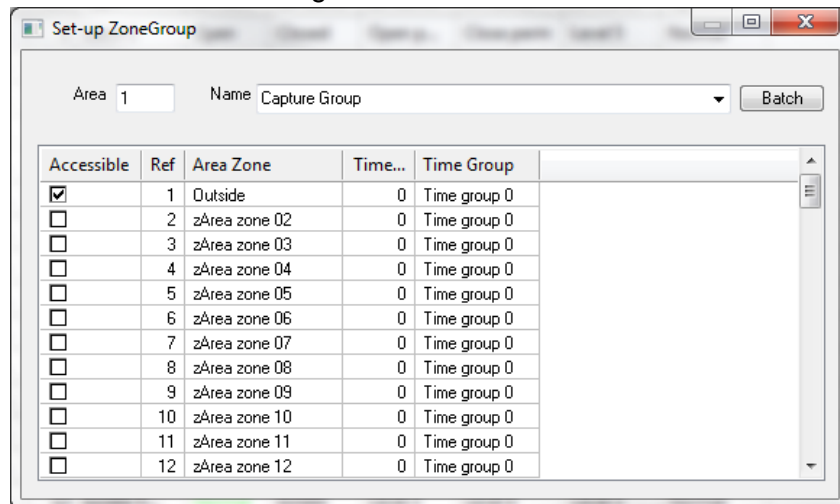
4. Click setup, setup editor, output setup.

- a. For the relevant controller, and relevant port, under Type ensure that the relevant capture is selected. Capture 1 for reader 1 and capture 2 for reader 2. If two capture bins are needed on one controller simply select capture 1 for port 3 and capture 2 for port 4.

Port	Type
1	Latch 1
2	Latch 2
3	Capture 1
4	Capture 2

Figure 2: Output port and type

5. Click setup, set-up Zone group
  - a. In 'name' change the name of this group, and press enter on the keyboard to save.
  - b. Under accessible place a check mark in the areas where the card will be captured. This is the area that the card holder will be going to once the card holder has move through.



**Figure 3: Setup Zone Group**

6. Click card, card editor, card admin(or whichever card editor preferred)
  - a. Right click on the card that needs to be captured and select properties.
  - b. Under the status TAB
    - i. Set the capture group to the group created in the previous setups
    - ii. Set the status to capture.
    - iii. Alternatively set the status to enabled and set the expire status to capture, if the card must only be captured once the card has expired.

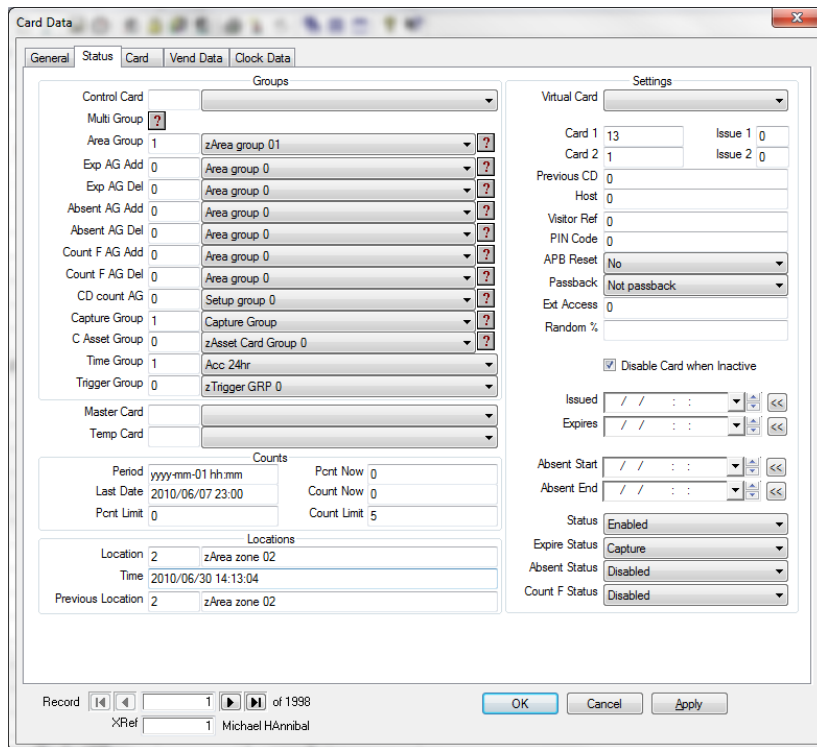
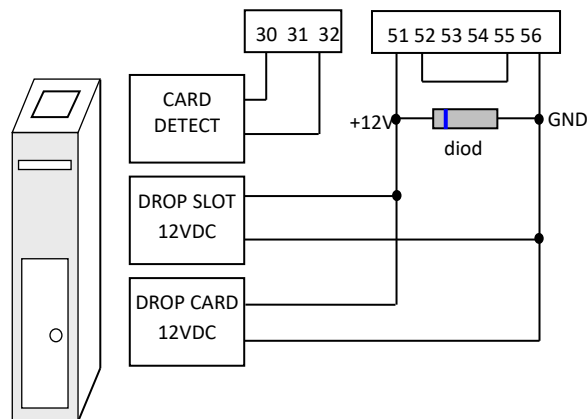


Figure 4: Card Data Status Tab

## CR355 version 2.23 or Lower

1. For CR355 version 2.23 or lower firmware the outputs will need to be moved around. Port 1 and 2 will be for the capture bins and port 3 and 4 will be for the Latches. This is because capture bins need a normally open output, and only port 1 and 2 are normally open. This will require that the wiring be changed on the controller. This is done by moving the Latches to outputs 3 and 4. See the controller manual for more information. See the diagram below for the correct wiring.



CR355 Capture Bin Wiring FW 2.23 or Lower

2. Click setup, setup editor CR351/5 setup
  - a. For the relevant controller, under R1 capture or R2 capture select the type of capture necessary
    - i. Capture: will capture the card and allow the card holder to pass

- ii. Capture Disabled: Will, once the card has been captured, disable the card and allow the card holder to pass
- iii. Capture pulse: is used when the capture device only requires a pulse from the controller in order to capture the card.
- iv. Motor capture: is used when the capture device is motorised. Typically the readers are built into the capture devices.

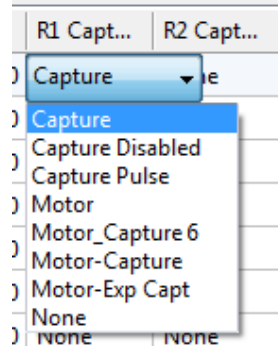


Figure 5: Capture Options

3. Click setup, setup editor, output setup.
  - a. For the relevant controller, and relevant port, under Type ensure that the relevant capture is selected. Capture 1 for reader 1 and capture 2 for reader 2. If two capture bins are needed on one controller simply select capture 1 for port 3 and capture 2 for port 4. Note that capture 1 and 2 is on port 1 and 2, and that the latch 1 and 2 is on port 3 and 4.

Port	Type	
3	Latch 1	(
4	Latch 2	(
1	Capture 1	(
2	Capture 2	(

Figure 6: Output port and type

4. Click setup, set-up Zone group
  - a. In 'name' change the name of this group, and press enter on the keyboard to save.
  - b. Under accessible place a check mark in the areas where the card will be captured. This is the area that the card holder will be going to once the card holder has move through.

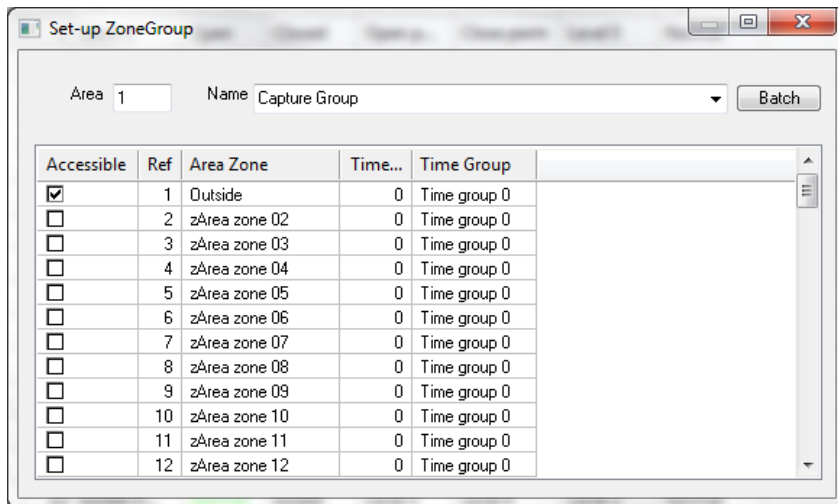


Figure 7: Setup Zone Group

5. Click card, card editor, card admin(or whichever card editor preferred)
  - a. Right click on the card that needs to be captured and select properties.
  - b. Under the status TAB
    - i. Set the capture group to the group created in the previous setups
    - ii. Set the status to capture.
    - iii. Alternatively set the status to enabled and set the expire status to capture, if the card must only be captured once the card has expired.

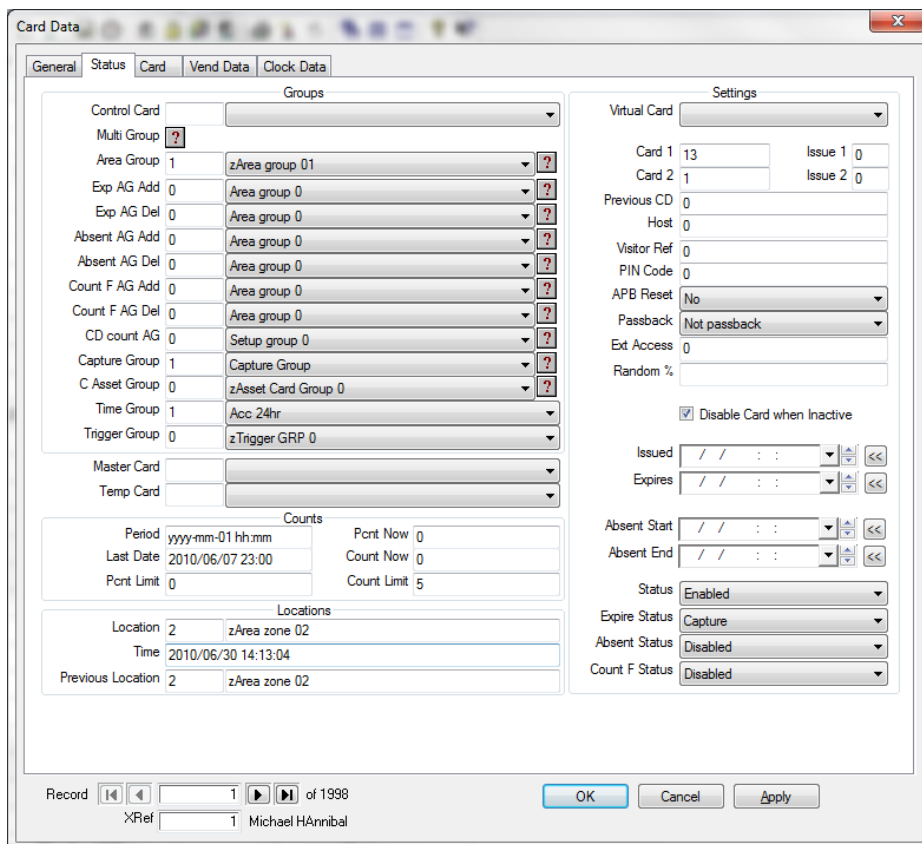


Figure 8: Card Data Status Tab

## CR351/2/4 all versions.

1. The CR351/2/4 can only have one capture bin attached to it, as a result of this only capture 2 can be configured. Ensure that the capture bin is wired to the normally open on the Auxiliary output.

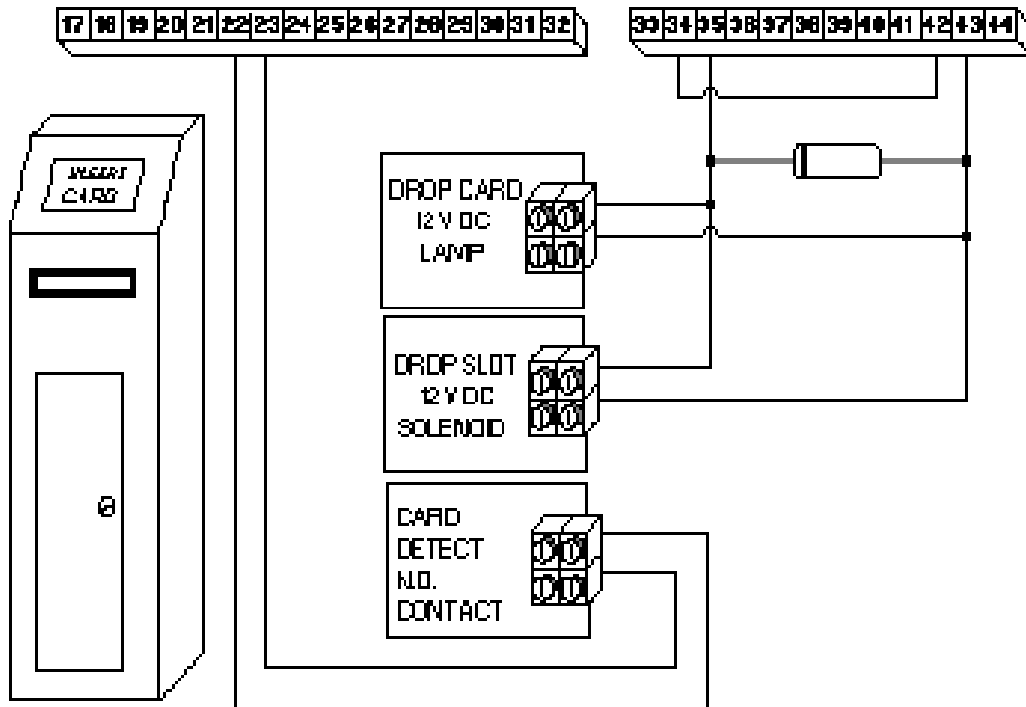


Figure 5: CR351/2/4 Capture Bin

2. Click setup, setup editor CR351/5 setup
  - a. The CR351/2/4 can only capture using the capture, and capture disabled options. The capture pulse and all motor options are only for the CR355 and CR390
  - b. For the relevant controller, under R1 capture or R2 capture select the type of capture necessary
    - i. Capture: will capture the card and allow the card holder to pass
    - ii. Capture Disabled: Will, once the card has been captured, disable the card and allow the card holder to pass

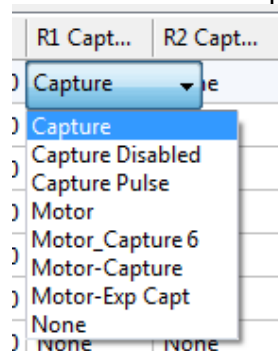


Figure 9: Capture Options

1. Click setup, set-up Zone group



- a. In 'name' change the name of this group, and press enter on the keyboard to save.
- b. Under accessible place a check mark in the areas where the card will be captured. This is the area that the card holder will be going to once the card holder has move through.

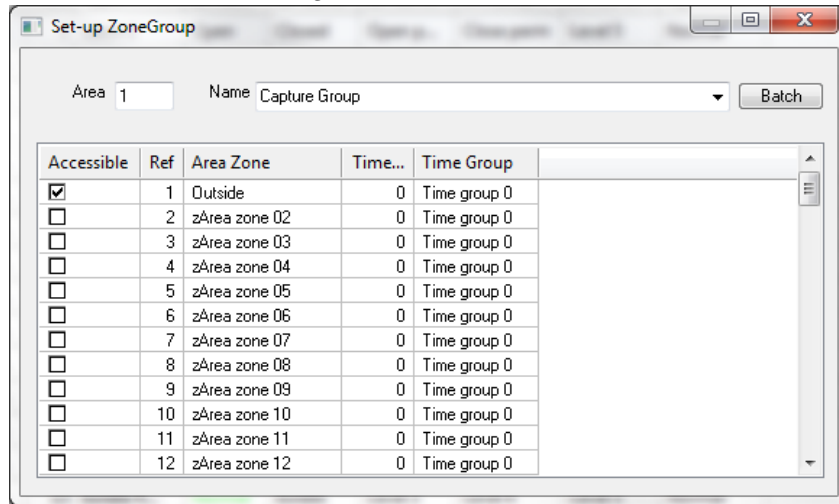


Figure 10: Setup Zone Group

2. Click card, card editor, card admin(or whichever card editor preferred)
  - a. Right click on the card that needs to be captured and select properties.
  - b. Under the status TAB
    - i. Set the capture group to the group created in the previous setups
    - ii. Set the status to capture.
    - iii. Alternatively set the status to enabled and set the expire status to capture, if the card must only be captured once the card has expired.

Card Data

General Status Card Vend Data Clock Data

Groups

Control Card [?]  
 Multi Group [?]  
 Area Group 1 zArea group 01 [?]  
 Exp AG Add 0 Area group 0 [?]  
 Exp AG Del 0 Area group 0 [?]  
 Absent AG Add 0 Area group 0 [?]  
 Absent AG Del 0 Area group 0 [?]  
 Count F AG Add 0 Area group 0 [?]  
 Count F AG Del 0 Area group 0 [?]  
 CD count AG 0 Setup group 0 [?]  
 Capture Group 1 Capture Group [?]  
 C Asset Group 0 zAsset Card Group 0 [?]  
 Time Group 1 Acc 24hr  
 Trigger Group 0 zTrigger GRP 0

Master Card  
 Temp Card

Counts

Period yyyy-mm-01 hh:mm Pcnt Now 0  
 Last Date 2010/06/07 23:00 Count Now 0  
 Pcnt Limit 0 Count Limit 5

Locations

Location 2 zArea zone 02  
 Time 2010/06/30 14:13:04  
 Previous Location 2 zArea zone 02

Settings

Virtual Card  
 Card 1 13 Issue 1 0  
 Card 2 1 Issue 2 0  
 Previous CD 0  
 Host 0  
 Visitor Ref 0  
 PIN Code 0  
 APB Reset No  
 Passback Not passback  
 Ext Access 0  
 Random %  
 Disable Card when Inactive

Issued / / : :  
 Expires / / : :  
 Absent Start / / : :  
 Absent End / / : :

Status Enabled  
 Expire Status Capture  
 Absent Status Disabled  
 Count F Status Disabled

Record [1] of 1998  
 XRef [1] Michael HAnnibal

OK Cancel Apply

Figure 11: Card Data Status Tab