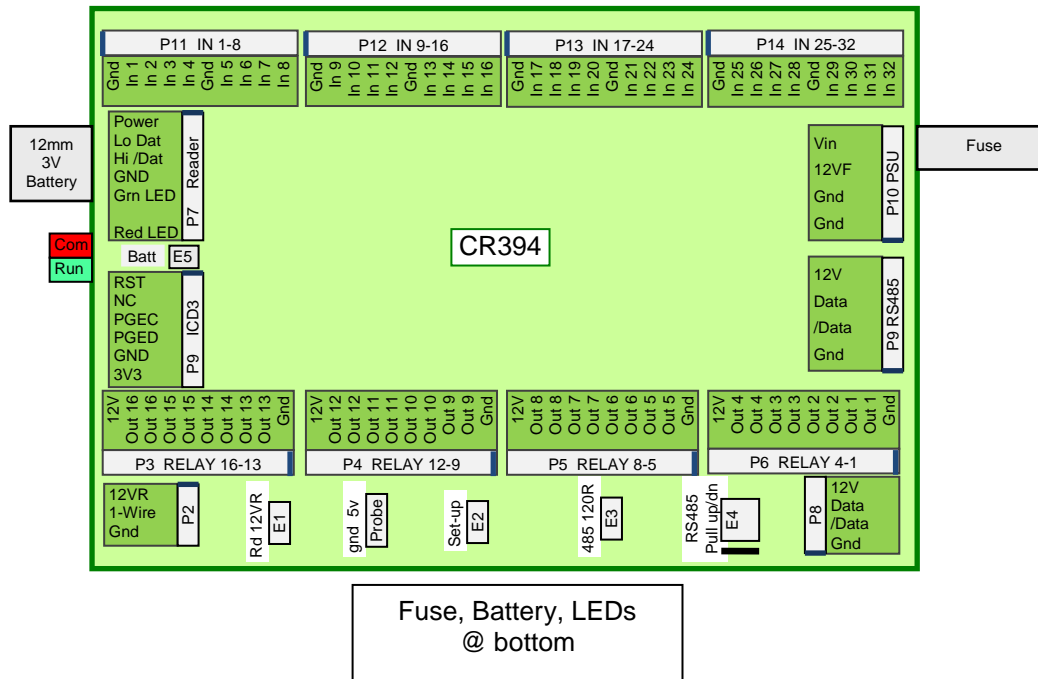


CR394 CONNECTIONS Revision 01.00



Connectors and Links populated as required (with or without reader, RTC, ERAM)

- Programming via Program connector using Microchip IDE programmers with cable are available from Softcon.
- Latest FW versions are available on www.softconserv.com.
- Run LED ticking once a second indicates that the program is running.
- Comms LED indicates communication with the Master.
- **E1** in for 12V to reader, removed for 12VR (via current limited resistor)
- **E2 Set-up** enables HH – **HAND PROGRAMMER** (plugged in at **P8**, remove **P9**). Remove **E2 link** if no HH. RS485 defaults to 19k2 with link in.
- RS485: **E4** Pull-up/down, **E3** 120R termination.
- Node address set with programmer.
- **E5** links battery to RTC. When not in use, remove **E5**.
- Supply via **P10**: Vin 12VDC. 12V on pins via Fuse.
- Relays normally open. 220V, 1A
- Inputs have 5V pull-up.