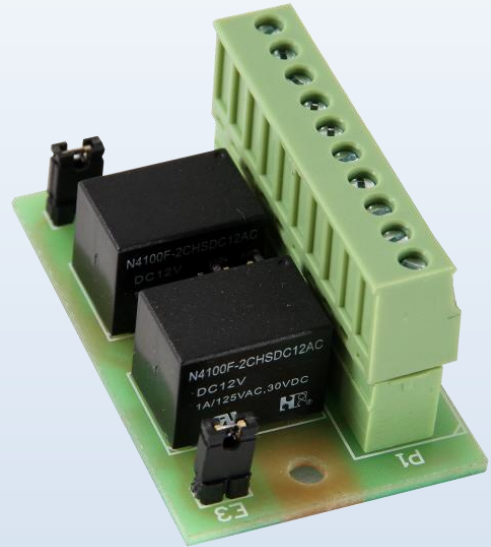


IO392

Dual Relay expander / Interface



Communication options

- 1-wire serial multi-drop bus (100m length)
- Open collector
- 5 to 12V

Housing and dimensions

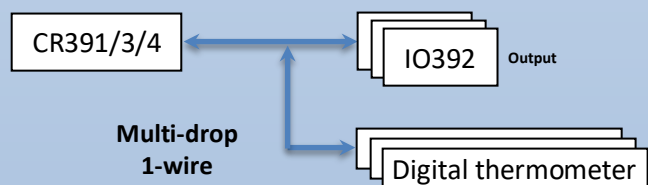
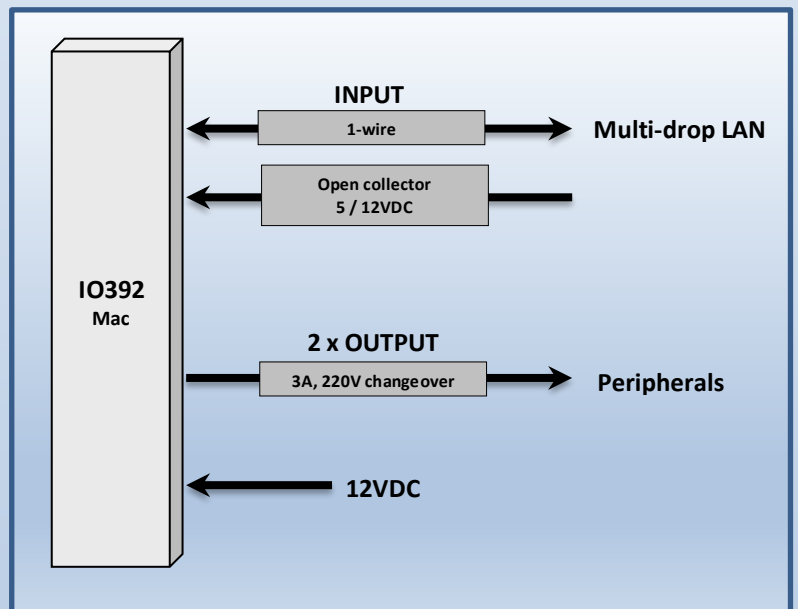
- Housing to requirements
- PCB 47.8mm x 30.5mm x 15mm

Power supply and consumption

- 12 VDC 50mA supply
- Relay contact 30VDC / 220VAC, 3A

Environmental conditions

- Storage Temperature: -20 to 65 Degrees C
- Operational Temperature: 0 to 45 Degrees C
- Humidity: 80% non-condensing



SOFTWARE CONTROL SERVICES (PTY) LTD

475 King's Highway
Lynnwood
Pretoria, South Africa
sales@softconserv.com
t: +27 12 3487301

26B Woodbridge Bpark
Koeberg Rd
Milnerton, Cape Town
softcon@softcape.co.za
t: +27 21 551 5728