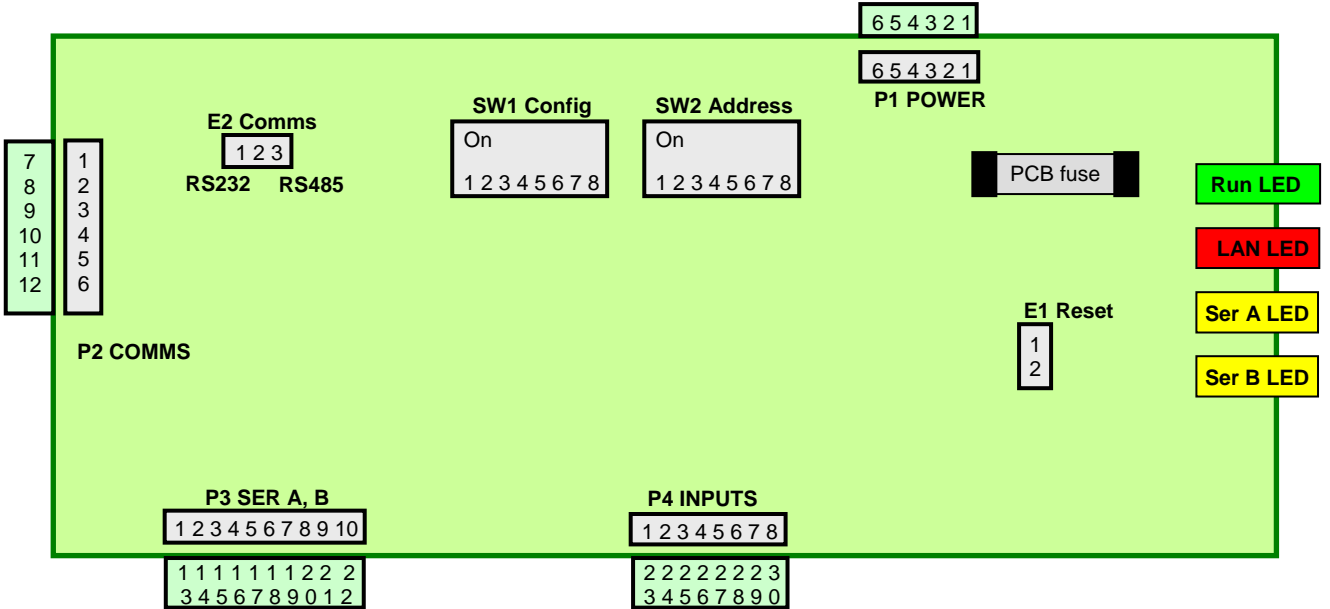




SOFTWARE CONTROL SERVICES
 +27 12 348 7301 www.softconserv.com

CR357 CONNECTIONS

Rev 01.00



Link E1 momentarily linked to reset.
 Link E2 1-2 for LAN RS232, 2-3 for RS485 (default).

SW1 Config		Mode		Type
SW1	ON	1	2	
1	Not used.	On	On	1. Sub-LAN controller.
2	No Terminal.	On	Off	
3	Not used.	On	On	
4	Print Alarm.	On	?	
5	Print Event.	On	?	2. Terminal.
6	No Serial I/O.	On	On	
7	Terminal Type.	Off	?	
8	Password.	On	?	

SW2 LAN Node							
Switch value when on							
1	2	3	4	5	6	7	8
1	2	4	8	16	32	64	128
e.g. Node 4 = 3 on. Node 13 = 1, 3, 4 on. Node 21 = 1, 3, 5 on.							

T	P1	POWER
1	1	5V from regulator.
2	2	Ground.
3	3	12V to regulator.
4	4	AC 12V.
5	5	AC 12V.
6	6	Ground.

T	P2	COMMS
7	1	RTS (RS232).
8	2	Ground.
9	3	Data (RS485).
10	4	/Data.
11	5	RX (RS232).
12	6	TX (RS232).

T	P3	SER A, B	Note
13	1	Ground.	Terminal port.
14	2	A TXD.	
15	3	A RXD.	
16	4	A CTS.	Interlink if no HW handshake.
17	5	A RTS.	
18	6	Ground.	Modem or PC port when sub-LAN controller
19	7	B TXD.	
20	8	B RXD.	Interlink if no HW handshake.
21	9	B CTS.	
22	10	B RTS.	

T	P4	INPUTS
23	1	Ground.
24	2	Ground.
25	3	Input 0.
26	4	Input 1.
27	5	Ground.
28	6	Input 2.
29	7	Input 3.
30	8	Ground.

