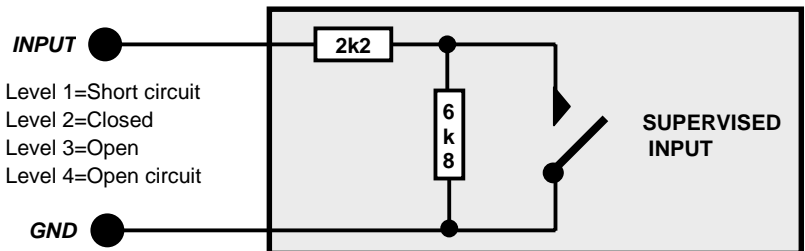
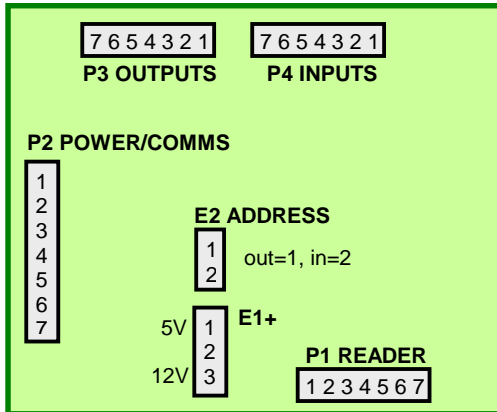


CR372 CONNECTIONS Rev 01.00



P1	READER
1	Power 5V (link E2 1-2) or 12V (E2 2-3).
2	Data/LO
3	Clock/HI.
4	Ground.
5	Green LED.
6	Yellow LED.
7	Red LED.

P2	POWER/COMMS
1	12V in.
2	Ground.
3	5V.
4	Ground.
5	/Data.
6	Data.
7	1-Wire.

P3	OUTPUTS
1	Aux I/O 2.
2	Aux I/O 1.
3	Ground.
4	Relay.
5	Relay.
6	12V.
7	Buzzer output.

P4	INPUTS (supervised)
1	Input 4 (Action complete).
2	Ground.
3	Input 3 (Egress).
4	Ground.
5	Input 2 (Aux input 2*).
6	Ground.
7	Input 1(Aux input 1**).

* When address 1 (E2 out), input 2 is CR355 Aux input 1 (port 5); When address 2 (E2 in), input 2 is CR355 Aux input 2 (port 6).

** When address 1 (E2 out), input 1 is CR355 Aux input 3 (port 7); When address 2 (E2 in), input 1 is CR355 capture input.

Local test mode when address changes (link E2). Any card or egress (P4-5 low) opens latch till action complete (P4-7 low). Note that after address is changed, do power-up (else in test mode).

On board LED flashes (fast) every half second if comms with CR355, once every 2 seconds (slow if in test mode) or one a second (no comms, not in test mode).